

## Enhanced Standard Wire-cut EDM

# VN400Q



### Standard Features

- Linear motor (X/Y/U/V axis)
- Absolute linear scales (X/Y/U/V axis)
- Sodick Motion Controller
- Ceramic work-zone
- Remote controller
- Triple filtration system
- Improved ease of operation
- Four-sided work table
- Advanced wire tension control
- LN3W generator
- SODICK Fine Corner Control
- Energy saving circuit
- Automatic water level control
- Fixed Jet AWT (Automatic wire threader)
- Wire end remover
- Dielectric cooling unit
- Voltage stabiliser
- LAN interface
- 15" TFT colour screen
- Work light
- Energy saving pump system
- USB port

### Technical Specifications

X-/Y-/Z- axis stroke (mm)	400 x 300 x 230
U-/V-axis stroke (mm)	90 x 90
Taper angle (120 mm)	±15°
Worktank dimensions (W x D mm)	860 x 740
Max. workpiece weight (kg)	500
Wire diameter (mm)	0.1 ~ 0.3
Distance from floor to table top (mm)	970
Max. wire speed (mm/sec)	420
Machine tool weight (kg)	3,200
Machine installation dimensions (W x D mm)	3,200 x 3,925
Total power input	3-phase 50/60 Hz 11.5 kVA

### Dielectric tank

External dimensions (W x D x H, mm)	820 x 2,250 x 1,895
Empty weight (kg)	450
Capacity (lit)	635
Dielectric fluid filtration system	3 Replaceable paper filters (internal pressure)

### Options

Taper Flex NEO
AVC
Jumbo Wire Feeder
UPS
L-cut (Wire Chopper)
WS4P/ 5P rotary table



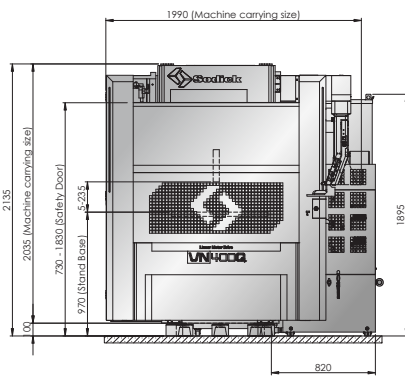
create your future

# Linear Motor Drive Wire-cut EDM

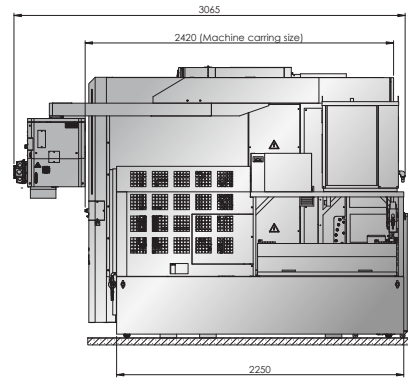


## VN400Q

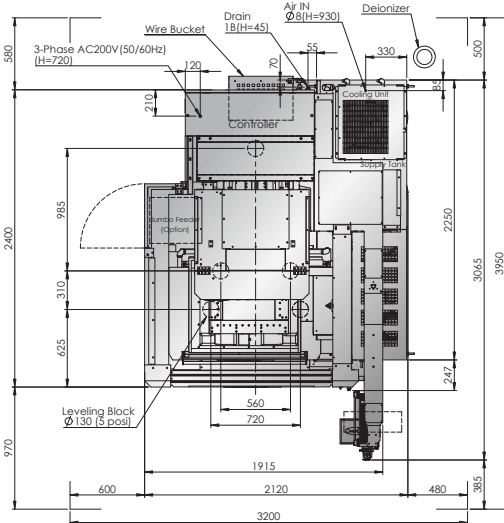
### Front View



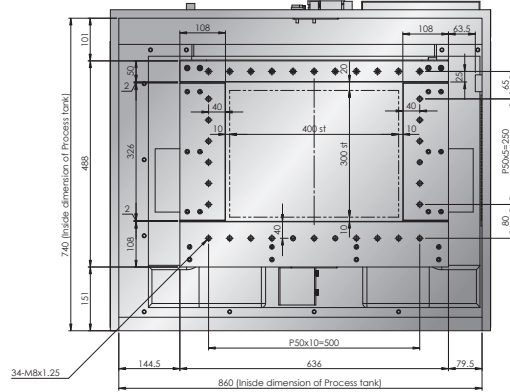
### Side View



### Top View



### Table Drawing



Due to ongoing research, specifications are subject to change without prior notice.



create your future

Sodick Europe Ltd.

Agincourt Road  
Warwick, CV34 6XZ  
United Kingdom

Sodick Contact

Phone +44 (0) 19 2669 8888  
email [europe@sodick.eu](mailto:europe@sodick.eu)  
online [www.sodick.eu](http://www.sodick.eu)